

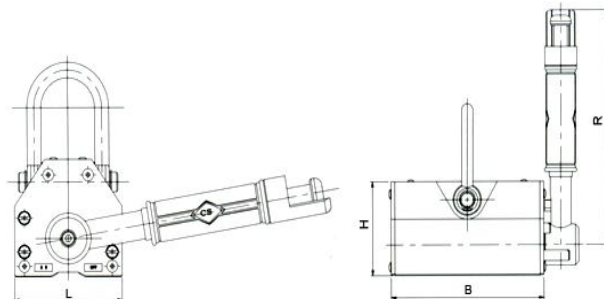


● **Permanent Magnetic Lifter**

Permanent magnetic lifters have strong magnetic path produced by NdFeB magnets. On and off of the magnetic path is controlled by turning the manual handle. The lifters have the features of strong attraction, smaller volume, lighter weight, powerful lifting effort, easy and safe to operate, long-time effort without power supply. They are widely used to lift and transport the steel and iron for factories, docks, warehouses, transportation etc.



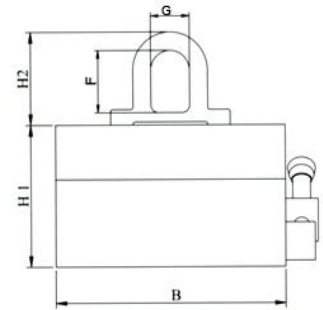
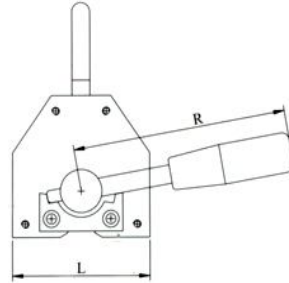
A Series



Model	Rated lifting strength (Kgf)	Cylindrical lifting strength (Kgf)	Max. pull-off strength (Kgf)	L	B	H	R	Operation Temperature (°C)	Dead weight (Kg)
CSYQ100A	100	50	350	64	92	67	107	<80	3.0
CSYQ300A	300	150	1050	92	162	91	155	<80	7.5
CSYQ600A	600	300	2100	122	233	118	196	<80	23.0
CSYQ1000A	1000	500	3500	179	268	164	255	<80	55.5
CSYQ2000A	2000	1000	7000	234	378	212	426	<80	125.0
CSYQ3000A	3000	1500	10500	310	497	252	505	<80	220.0
CSYQ6000A	6000	3000	21000	442	621	210	548	<80	440.0

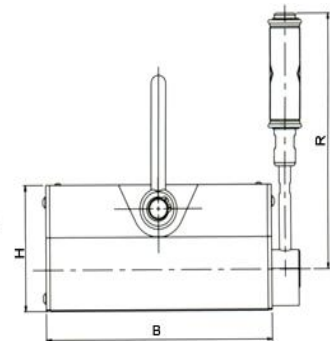
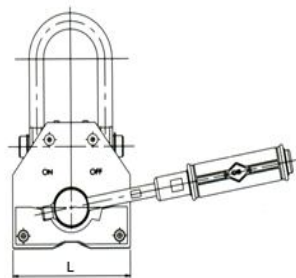


B Series



Model	Rated lifting strength (Kgf)	Cylindrical lifting strength (Kgf)	Max. pull-off strength (Kgf)	L	B	R	H1	H2	F	G	Operation temperature (°C)	Dead weight (Kg)
CSYQ100B	100	50	350	64	92	148	67	54	35	28	<80	3.0
CSYQ300B	300	150	1050	92	162	180	91	70	47	40	<80	7.5
CSYQ600B	600	300	2100	122	233	185	118	95	64	50	<80	23.0
CSYQ1000B	1000	500	3500	179	268	210	164	95	64	50	<80	55.5
CSYQ2000B	2000	1000	7000	234	378	365	212	120	80	60	<80	125.0

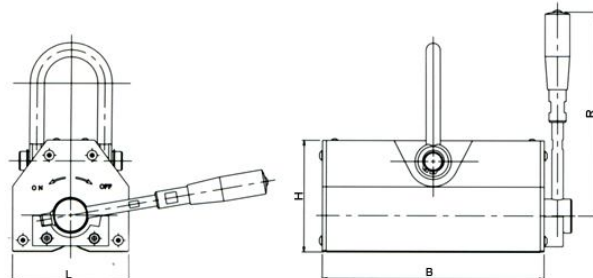
C Series



Model	Rated lifting strength (Kgf)	Cylindrical lifting strength (Kgf)	Max. pull-off strength (Kgf)	L	B	H	R	Operation temperature (°C)	Dead weight (Kg)
CSYQ100C	100	50	350	64	92	67	107	<80	3.0
CSYQ300C	300	150	1050	92	162	91	207	<80	7.5
CSYQ600C	600	300	2100	122	233	118	247	<80	23.0
CSYQ1000C	1000	500	3500	179	268	164	275	<80	55.5
CSYQ2000C	2000	1000	7000	234	378	212	370	<80	125.0

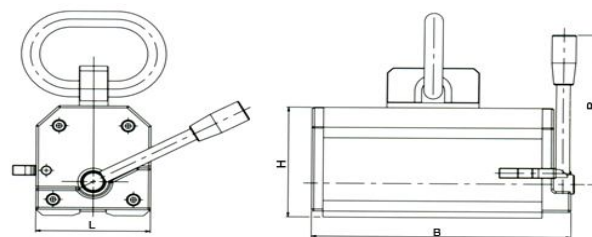


D Series



Model	Rated lifting strength (Kgf)	Cylindrical lifting strength(Kgf)	Max. pull-off strength (Kgf)	L	B	H	R	Operation temperature (°C)	Dead weight (Kg)
CSYQ100D	100	50	350	64	92	67	148	<80	3.0
CSYQ300D	300	150	1050	92	162	91	180	<80	7.5
CSYQ600D	600	300	2100	122	233	118	185	<80	23.0
CSYQ1000D	1000	500	3500	179	268	164	210	<80	55.5
CSYQ2000D	2000	1000	7000	234	378	212	365	<80	125.0

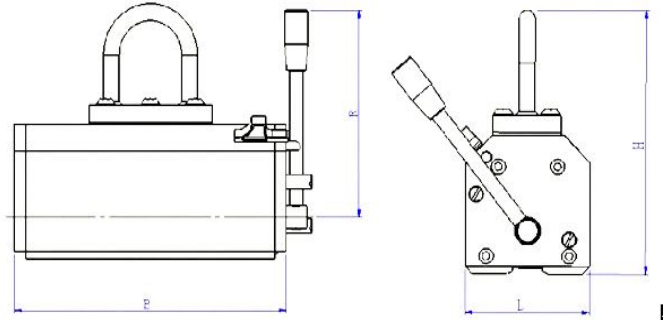
E Series



Model	Rated lifting strength (Kgf)	Cylindrical lifting strength (Kgf)	Max. pull-off strength (Kgf)	L	B	H	R	Operation temperature (°C)	Dead weight (Kg)
CSYQ100E	100	50	300	60	114	65	136	<80	3.0
CSYQ150E	150	75	450	60	147	65	136	<80	3.5
CSYQ200E	200	100	600	80	140	85	136	<80	6.0
CSYQ300E	300	150	900	80	170	91	136	<80	9.5
CSYQ500E	500	250	1500	100	225	110	150	<80	16.0
CSYQ1000E	1000	500	3500	176	300	165	285	<80	58.0
CSYQ2000E	2000	1000	6000	200	400	210	335	<80	116.5

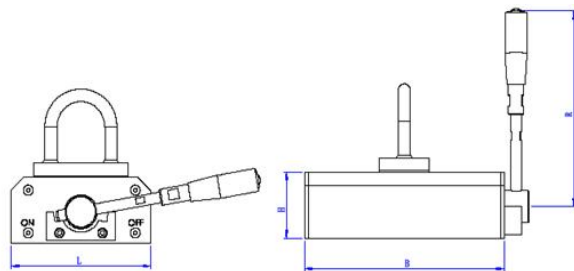


I Series



Model	Rated lifting strength (Kgf)	Cylindrical lifting strength (Kgf)	Max. pull-off strength (Kgf)	L	B	H	R	Operation temperature (°C)	Dead weight (Kg)
CSYQ100I	100	50	350	60	94	121	140	<80	3
CSYQ200I	200	100	700	80	118	156	140	<80	6
CSYQ300I	300	150	1050	80	160	179	140	<80	9.5
CSYQ600I	600	300	2100	105	243	210	170	<80	23
CSYQ1000I	1000	500	3500	176	280	305	285	<80	58
CSYQ2000I	2000	1000	7000	198	380	391	335	<80	116

J Series





Model	Rated lifting strength (Kgf)	Cylindrical lifting strength (Kgf)	Max. pull-off strength (Kgf)	L	B	H	R	Operation temperature (°C)	Dead weight (Kg)
CSYQ300J	300	90	1050	132	162	60	180	<80	9.5
CSYQ600J	600	200	2100	163	233	74	185	<80	23
CSYQ1000J	1000	300	3500	190	300	85	210	<80	58
CSYQ2000J	2000	600	7000	250	400	77	365	<80	116

Note: All customized designs are acceptable.

● Operating Guide



1. Handle locked in Demag (OFF) position



2. Put out the handle



3. Turn the handle



4. Handle in Mag (ON) position



5. Handle locked in Mag (ON) position